



Outdoor Unit

MODELS:

SAP09HP230V1AO
SAP12HP230V1AO
SAP18HP230V1AO
SAP24HP230V1AO

Indoor Unit

MODELS:

SAP09HP230V1AH
SAP12HP230V1AH
SAP18HP230V1AH
SAP24HP230V1AH

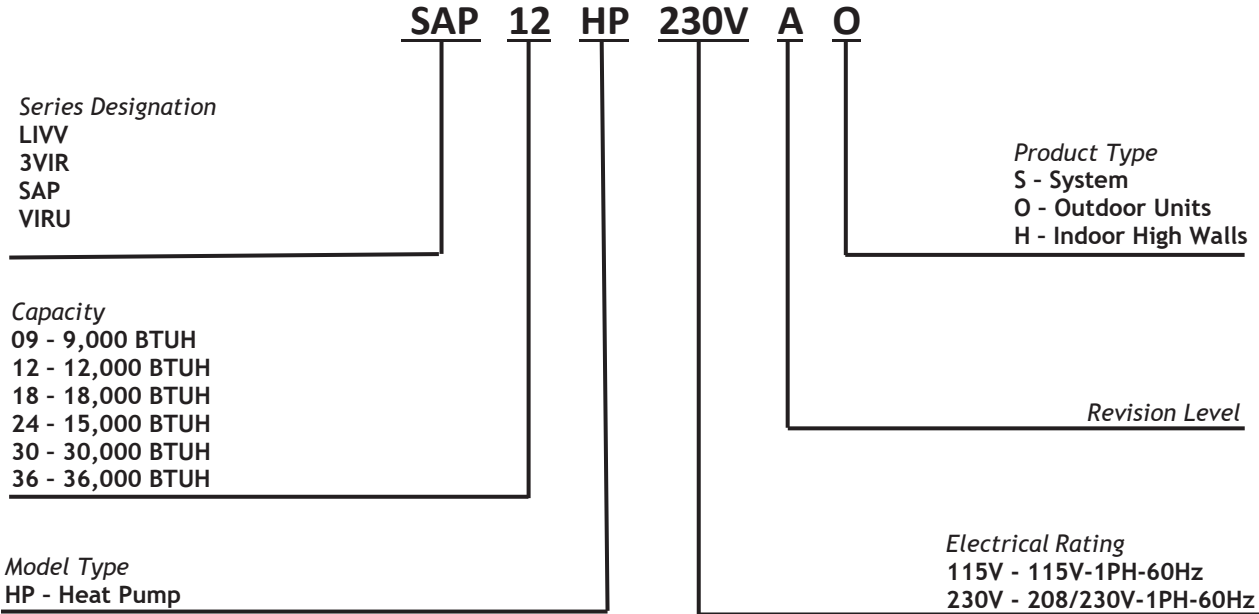
Thank you for choosing our product.
Please read this Parts Manual carefully before operation and retain it for future reference.

If you lose this Manual, please contact your local distributor or visit www.greecomcomfort.com/resources now to download and file the electronic version.

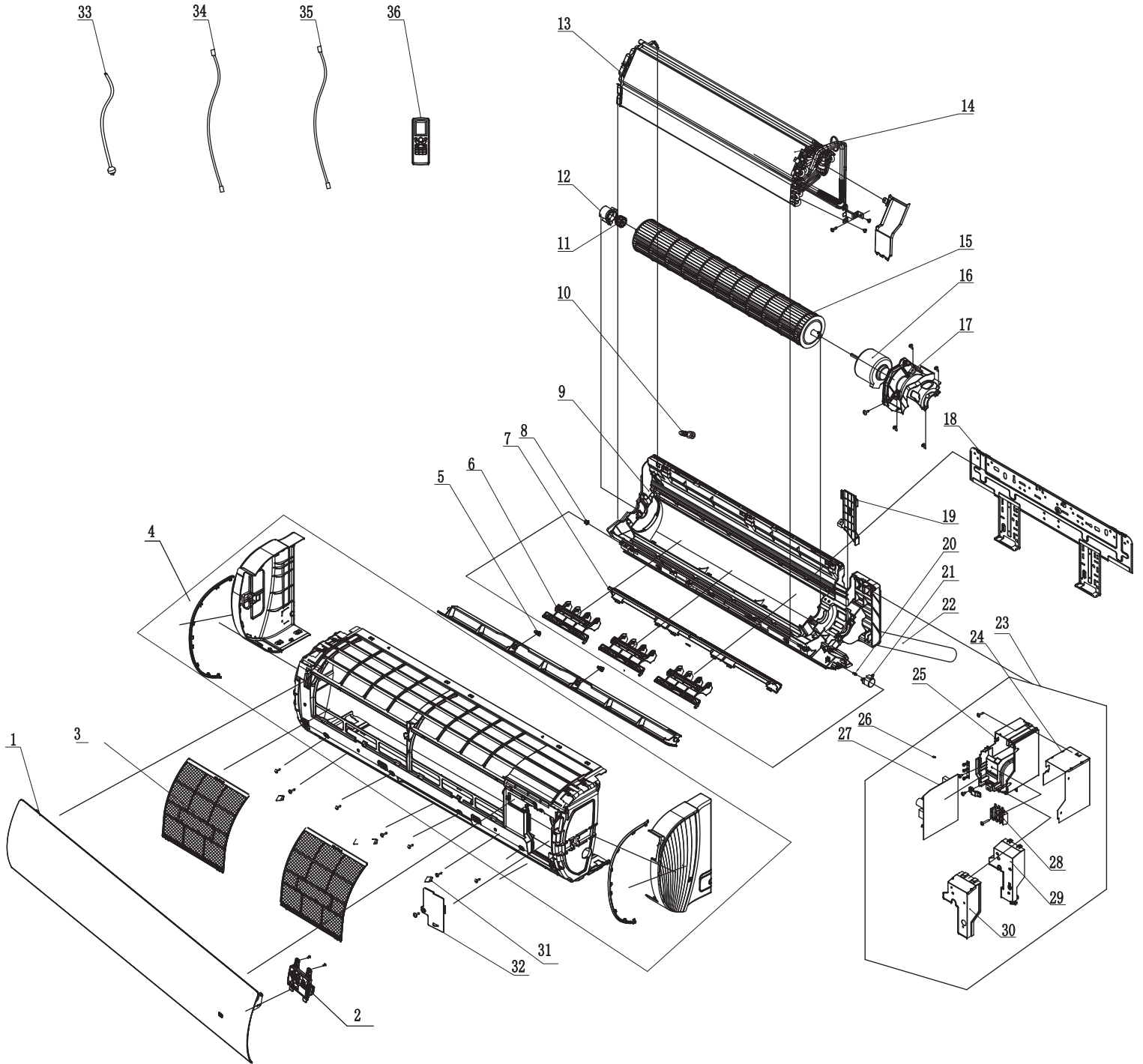
Table of Contents

NOMENCLATURE	3
SAP09HP230V1AH EV	4
SAP09HP230V1AH Parts Lists	5
SAP09HP230V1AO EV	7
SAP09HP230V1AO Parts Lists	8
SAP12HP230V1AH EV	9
SAP12HP230V1AH Parts Lists	10
SAP12HP230V1AO EV	12
SAP12HP230V1AO Parts Lists	13
SAP18HP230V1AH EV	14
SAP18HP230V1AH Parts Lists	15
SAP18HP230V1AO EV	17
SAP18HP230V1AO Parts Lists	18
SAP24HP230V1AH EV	19
SAP24HP230V1AH Parts Lists	20
SAP24HP230V1AO EV	22
SAP24HP230V1AO Parts Lists	23

Nomenclature



SAP09HP230V1AH



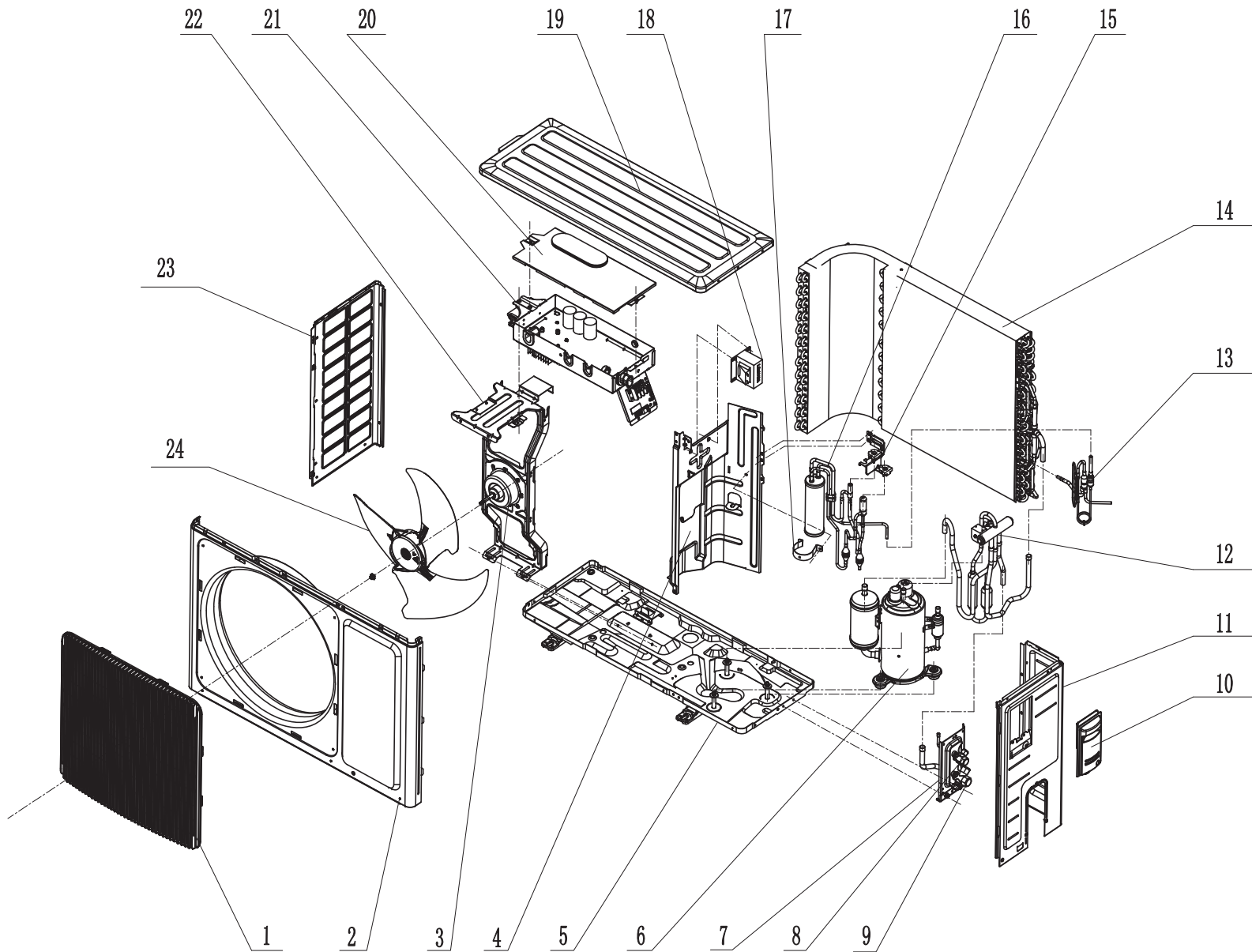
SAP09HP230V1AH

NO.	Part Description	Qty	Part Code
1	Front Panel	1	200003000130T01
2	Display Board	1	300001000202
3	Filter Sub-Assy	2	11122089
4	Front Case Assy	1	000002000043
5	Axile Bush	2	10542036
6	Air Louver	3	10512736
7	Helicoid Tongue	1	26112512
8	Left Axile Bush	1	10512037
9	Rear Case assy	1	0000010017701
10	Rubber Plug (Water Tray)	1	76712012
11	O-Gasket sub-assy of Bearing	1	7651205102
12	Ring of Bearing	1	26152025
13	Evaporator Support	1	24212177
14	Evaporator Assy	1	011001000457
15	Cross Flow Fan	1	10352060
16	Fan Motor	1	15012136
17	Motor Press Plate	1	26112511
18	Wall Mounting Frame	1	01362026
19	Connecting pipe clamp	1	2611218801
20	Crank	1	73012005
21	Stepping Motor	1	1521240210
22	Drainage Hose	1	05230014
23	Electric Box Assy	1	100002003906
24	Lower Shield of Electric Box	1	01592139
25	Electric Box	1	2011221102
26	Jumper	1	4202021922
27	Main Board	1	300002000093
28	Terminal Board	1	42011233
29	Electric Box Cover	1	2011220901
30	Shield Cover of Electric Box	1	01592176
31	Screw Cover	3	242520179
32	Electric Box Cover2	1	2011221001
33	Power Cord	0	N/A
34	Connecting Cable	0	N/A

SAP09HP230V1AH (Cont.)

NO.	Part Description	Qty	Part Code
35	Connecting Cable	0	N/A
36	Remote Controller	1	305001000082_L75973

SAP09HP230V1AO



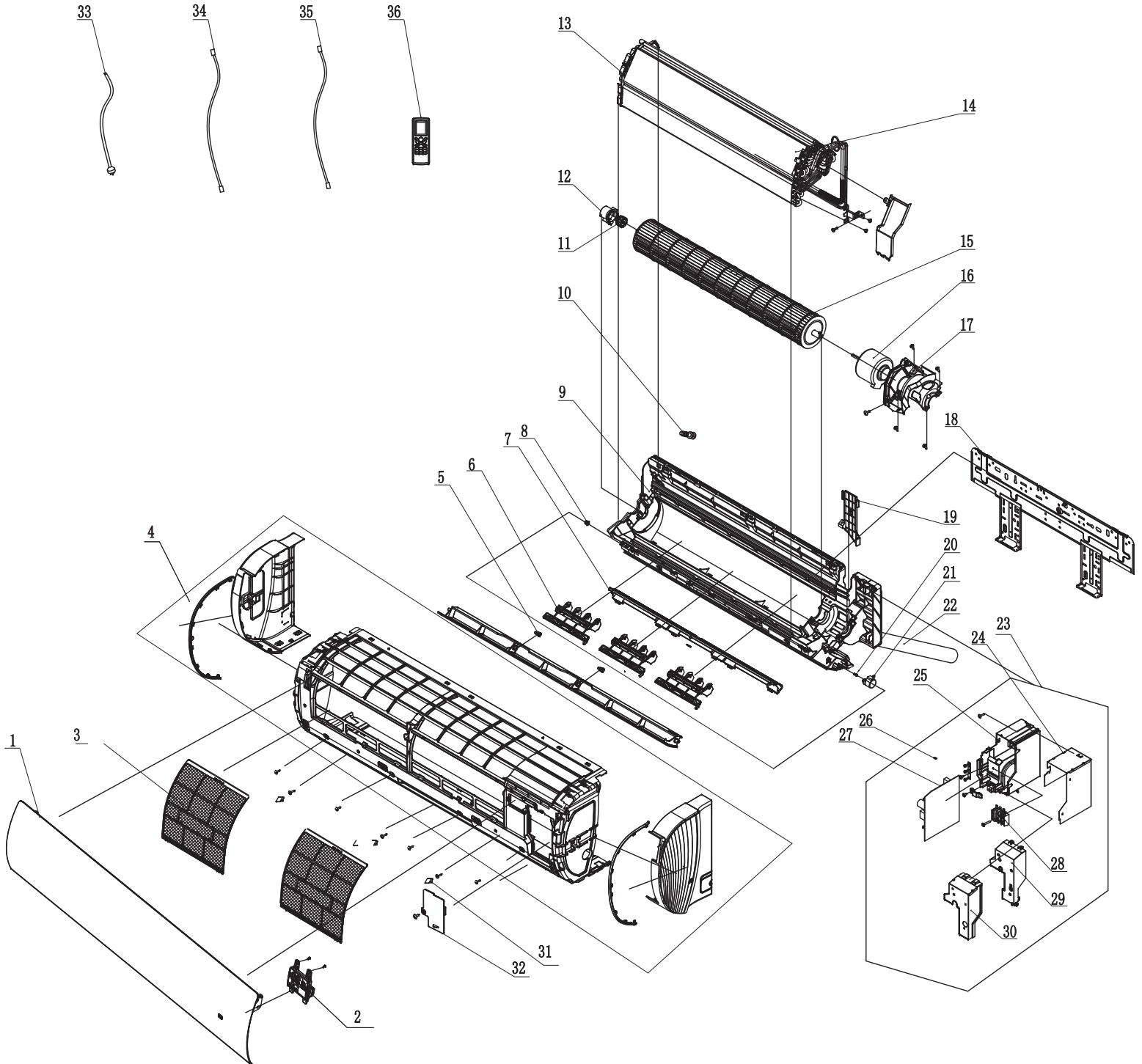
SAP09HP230V1AO

NO.	Part Description	Qty	Part Code
1	Front Grill	1	01473065
2	Front Panel Assy	1	0153305104
3	Fan Motor	1	1501308507
4	Clapboard	1	01233510
5	Chassis Sub-assy	1	0280311901P
6	Compressor and Fittings	1	00103977
7	Valve Support Sub-Assy	1	01703242P
8	Cut off Valve	1	07130239
9	Cut off Valve 1/2	1	0710307901
10	Big Handle	0	none
11	Right Side Plate	1	0130510002P
12	4-Way Valve Assy	1	03073360
13	Capillary Sub-assy	1	030006060038
14	Condenser Assy	1	011002060037
15	Stationary Barrier	1	01703179
16	Flash Vaporizer Sub-assy	1	07223057
17	Tube Clip	1	02143030
18	Reactor	1	43130185
19	Top cover	1	012049000006P
20	Electric Box Cover Sub-Assy	1	0260309601
21	Electric Box Assy	1	100002060314
22	Motor Support Sub-Assy	1	01703180
23	Left Side Plate	1	01303169P
24	Axial Flow Fan	1	10333022

ASSEMBLIES

21	Electric Box Assy	1	100002060314
N/A	Main Board	1	300027060051

SAP12HP230V1AH



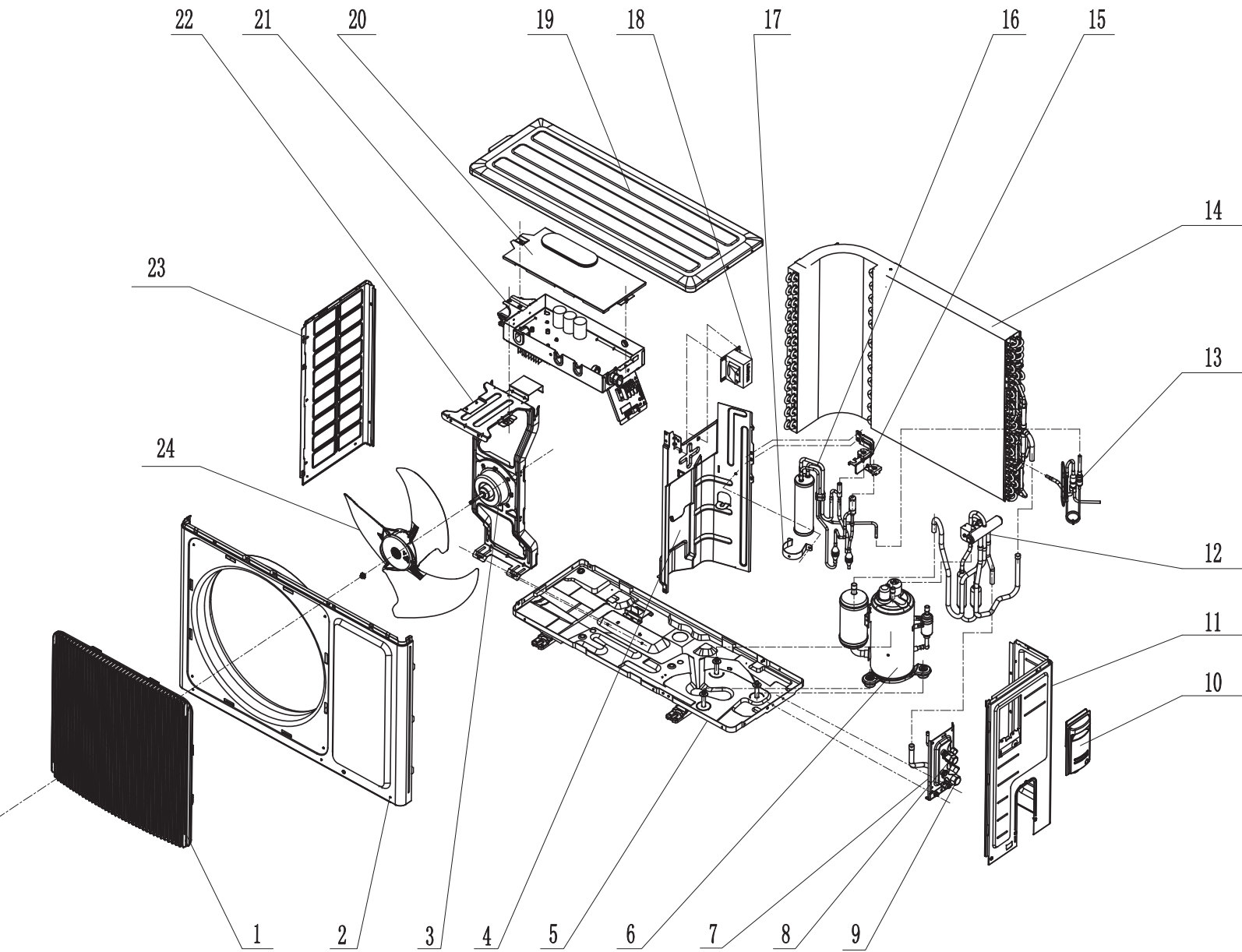
SAP12HP230V1AH

NO.	Part Description	Qty	Part Code
1	Front Panel	1	200003000130T01
2	Display Board	1	300001000202
3	Filter Sub-Assy	2	11122089
4	Front Case Assy	1	000002000043
5	Axile Bush	2	10542036
6	Air Louver	3	10512736
7	Helicoid Tongue	1	26112512
8	Left Axile Bush	1	10512037
9	Rear Case assy	1	0000010017701
10	Rubber Plug (Water Tray)	1	76712012
11	O-Gasket sub-assy of Bearing	1	7651205102
12	Ring of Bearing	1	26152025
13	Evaporator Support	1	24212177
14	Evaporator Assy	1	0100200001401
15	Cross Flow Fan	1	10352060
16	Fan Motor	1	15012136
17	Motor Press Plate	1	26112511
18	Wall Mounting Frame	1	01362026
19	Connecting pipe clamp	1	2611218801
20	Crank	1	73012005
21	Stepping Motor	1	1521240210
22	Drainage Hose	1	05230014
23	Electric Box Assy	1	100002003903
24	Lower Shield of Electric Box	1	01592139
25	Electric Box	1	2011221102
26	Jumper	1	4202021925
27	Main Board	1	300002000093
28	Terminal Board	1	42011233
29	Electric Box Cover	1	2011220901
30	Shield Cover of Electric Box	1	01592176
31	Screw Cover	3	242520179
32	Electric Box Cover2	1	2011221001
33	Power Cord	0	N/A
34	Connecting Cable	0	N/A

SAP12HP230V1AH (Cont.)

NO.	Part Description	Qty	Part Code
35	Connecting Cable	0	N/A
36	Remote Controller	1	305001000082_L75973

SAP12HP230V1AO



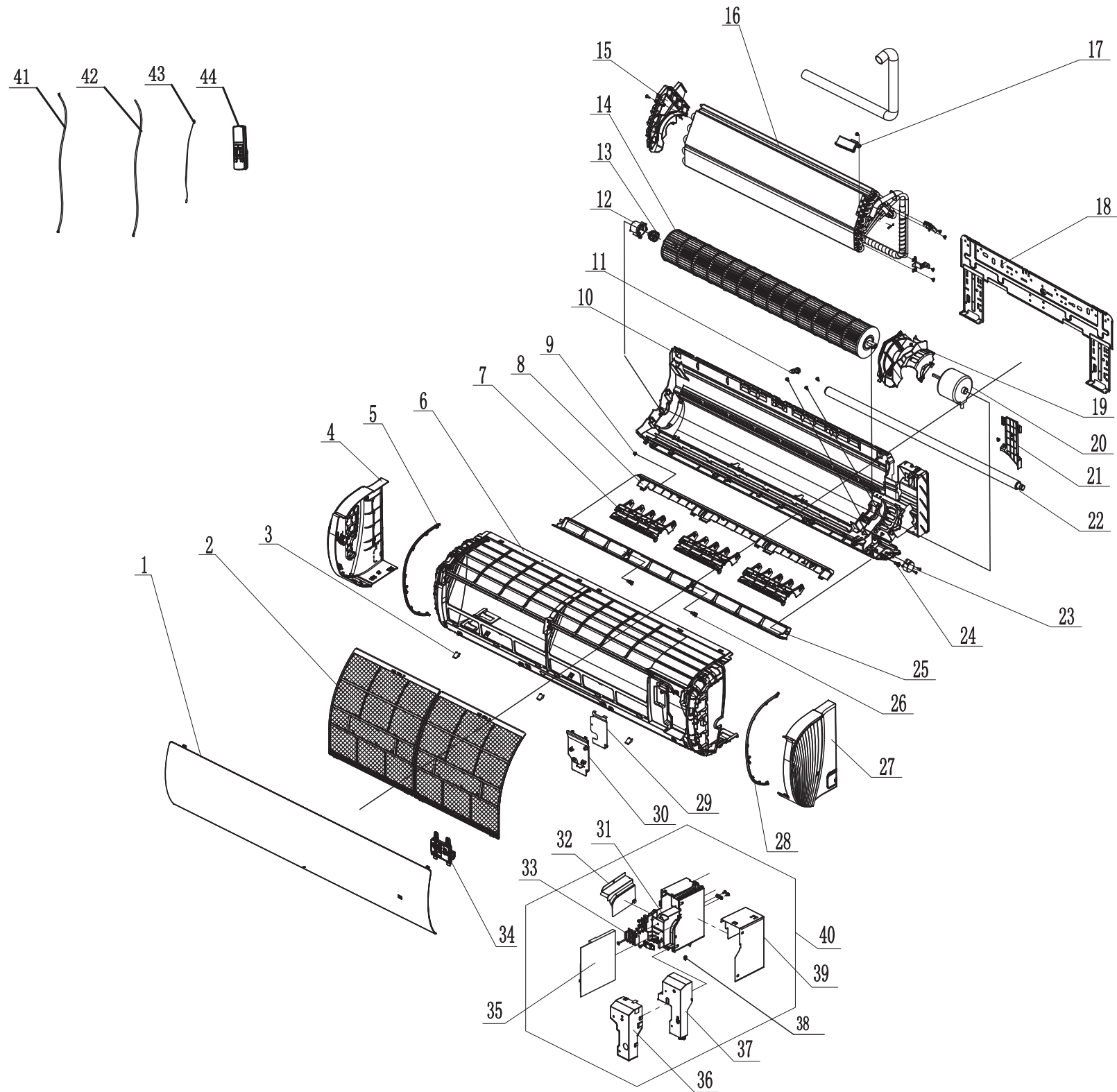
SAP12HP230V1AO

NO.	Part Description	Qty	Part Code
1	Front Grill	1	01473065
2	Front Panel Assy	1	0153305104
3	Fan Motor	1	1501308507
4	Clapboard	1	01233510
5	Chassis Sub-assy	1	0280311901P
6	Compressor and Fittings	1	00103977
7	Valve Support Sub-Assy	1	01713115P
8	Cut off Valve	1	07130239
9	Cut off Valve 1/2	1	0710307901
10	Big Handle	0	none
11	Right Side Plate	1	0130510002P
12	4-Way Valve Assy	1	03073360
13	Capillary Sub-assy	1	030006000624
14	Condenser Assy	1	011002000728
15	Stationary Barrier	1	01703179
16	Flash Vaporizer Sub-assy	1	03007000001
17	Tube Clip	1	02143030
18	Reactor	1	43130185
19	Top cover	1	012049000006P
20	Electric Box Cover Sub-Assy	1	0260309601
21	Electric Box Assy	1	10000100908
22	Motor Support Sub-Assy	1	01703180
23	Left Side Plate	1	01303169P
24	Axial Flow Fan	1	10333022

ASSEMBLIES

21	Electric Box Assy	1	100002060314
N/A	Main Board	1	300027000057

SAP18HP230V1AH



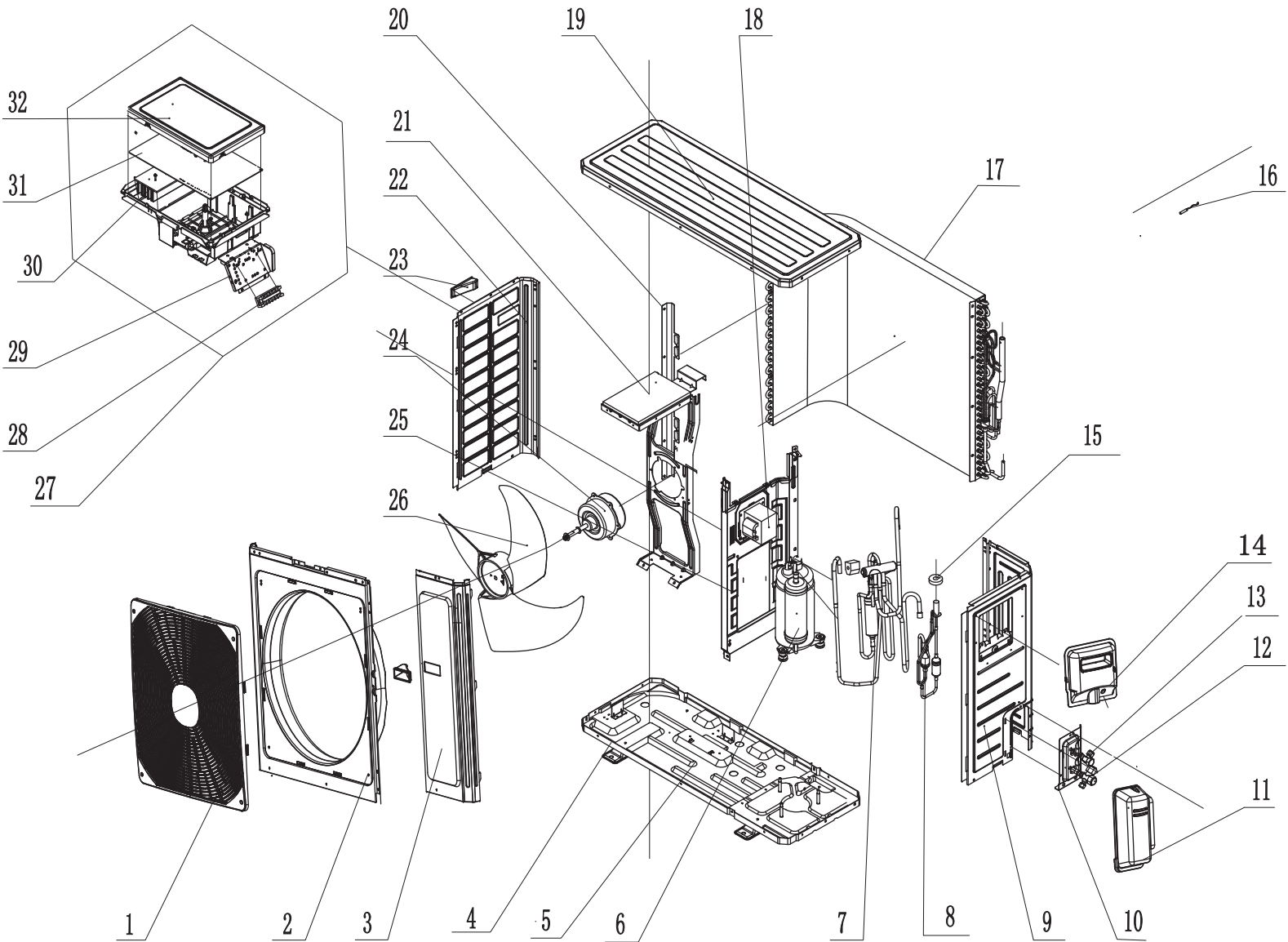
SAP18HP230V1AH

NO.	Part Description	Qty	Part Code
1	Front Panel	1	200003000127T01
2	Filter Sub-Assy	2	11012007
3	Screw Cover	3	2425201906
4	Left Side Plate	1	200085000011
5	Decorative Strip(Left)	1	230001000066D
6	Front Case	1	00000200004002
7	Air Louver	1	10512744
8	Helicoid Tongue sub-assy	1	26112384
9	Left Axile Bush	1	10512037
10	Rear Case assy	1	000001000075
11	Rubber Plug (Water Tray)	1	76712012
12	Ring of Bearing	1	26152025
13	O-Gasket sub-assy of Bearing	1	7651205102
14	Cross Flow Fan	1	10352057
15	Evaporator Support	1	24212178
16	Evaporator Assy	1	01100100007301
17	Cold Plasma Generator	0	none
18	Wall Mounting Frame	1	012043000007
19	Motor Press Plate	1	26112515
20	Fan Motor	1	15012136
21	Connecting pipe clamp	1	26112514
22	Drainage Hose	1	0523001405
23	Stepping Motor	1	1521240210
24	Crank	1	73012005
25	Guide Louver	1	200004000048
26	Axile Bush	2	10542036
27	Right Side Plate	1	200086000011
28	Decorative Strip(Right)	1	230001000065D
29	Shield Cover of Electric Box Cover 2	1	01202000099
30	Electric Box Cover2	1	2011221001
31	Electric Box	1	2011221102
32	Side plate (electric box)	1	01302002
33	Terminal Board	1	42011233
34	Display Board	1	300001000202

SAP18HP230V1AH (CONT.)

NO.	Part Description	Qty	Part Code
35	Main Board	1	300002000093
36	Shield Cover of Electric Box	1	01592176
37	Electric Box Cover	1	2011220901
38	Jumper	1	4202021926
39	Lower Shield of Electric Box	1	01592139
40	Electric Box Assy	1	100002003944
41	Connecting Cable	0	none
42	Connecting Cable	0	none
43	Temperature Sensor	1	3900031302
44	Remote Controller	1	305001000082_L75973

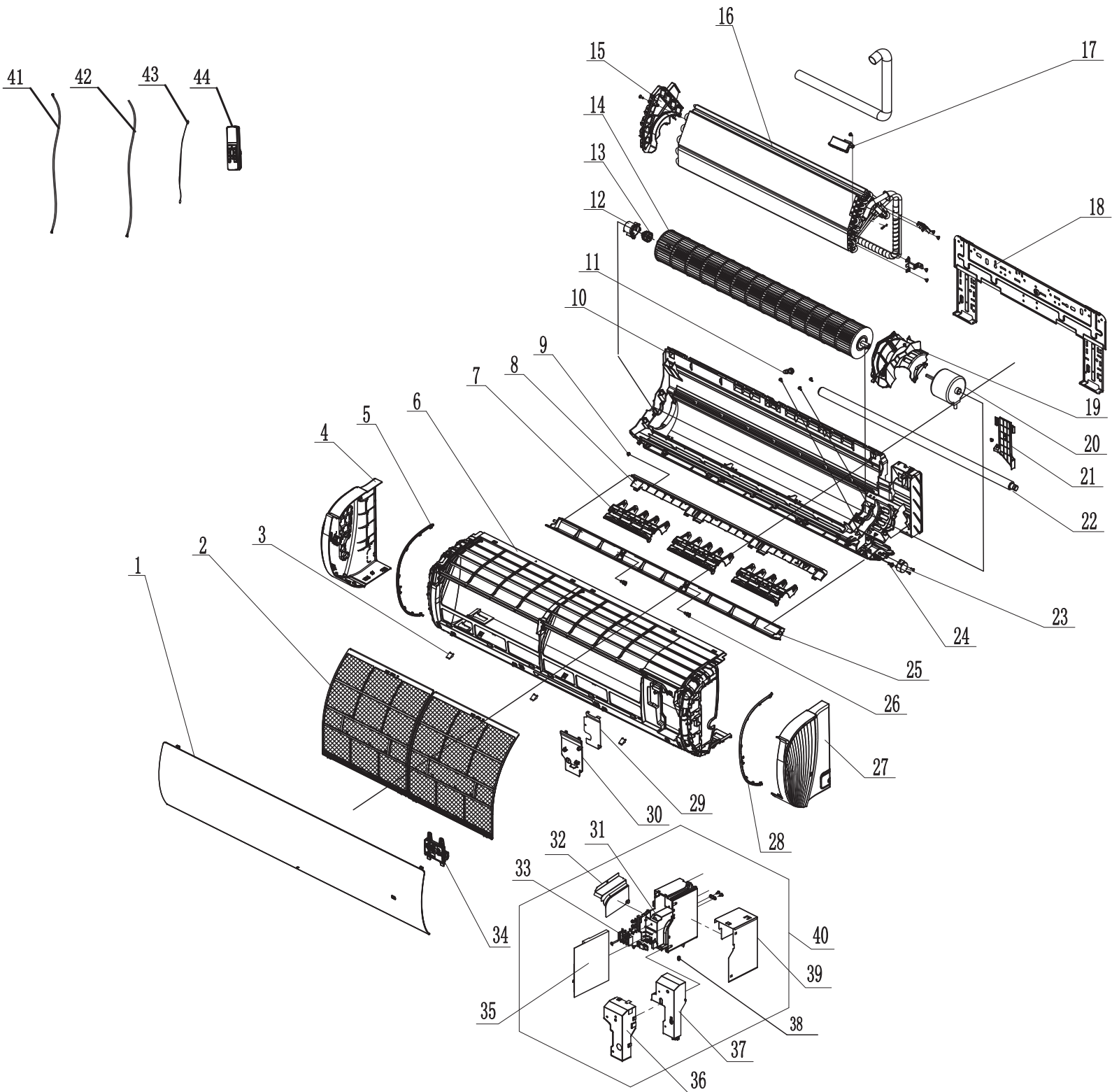
SAP18HP230V1AO



SAP18HP230V1AO

NO.	Part Description	Qty	Part Code
1	Front Grill	1	01473050
2	Front Panel Assy	1	0153501405
3	Front Side Plate Sub-Assy	1	01303249P
4	Chassis Sub-assy	1	02803315P
5	Electrical Heater (Chassis)	1	7651000411
6	Compressor and Fittings	1	00105251
7	4-Way Valve Assy	1	030152000081
8	Electronic Expansion Valve assy	1	030174060029
9	Right Side Plate	1	0130504402P
10	Valve Support Sub-Assy	1	0170506101P
11	Valve Cover	1	22245003
12	Cut off Valve	1	0713517901
13	Cut off Valve Sub-Assy	1	07133934
14	Big Handle	1	02115005
15	Magnet Coil	1	4300040045
16	Temperature Sensor	1	3900030901
17	Condenser Assy	1	011002000242
18	Reactor	1	43130024
19	Top Cover Sub-Assy	1	000051000026
20	Condenser Support Plate	1	01175092
21	Motor Support Assy	1	000046000019
22	Left Side Plate	1	01305043P
23	Left Handle	0	none
24	Brushless DC Motor	1	15010400000102
25	Clapboard Sub-Assy	1	01235091
26	Axial Flow Fan	1	10335013
27	Electric Box Assy	1	100002000485
28	Terminal Board	1	42200006001401
29	Terminal Board Support sub-assy	1	01715016
30	Radiator	1	49015215
31	Main Board	1	300027000040
32	Electric Box Cover	1	20125002

SAP24HP230V1AH



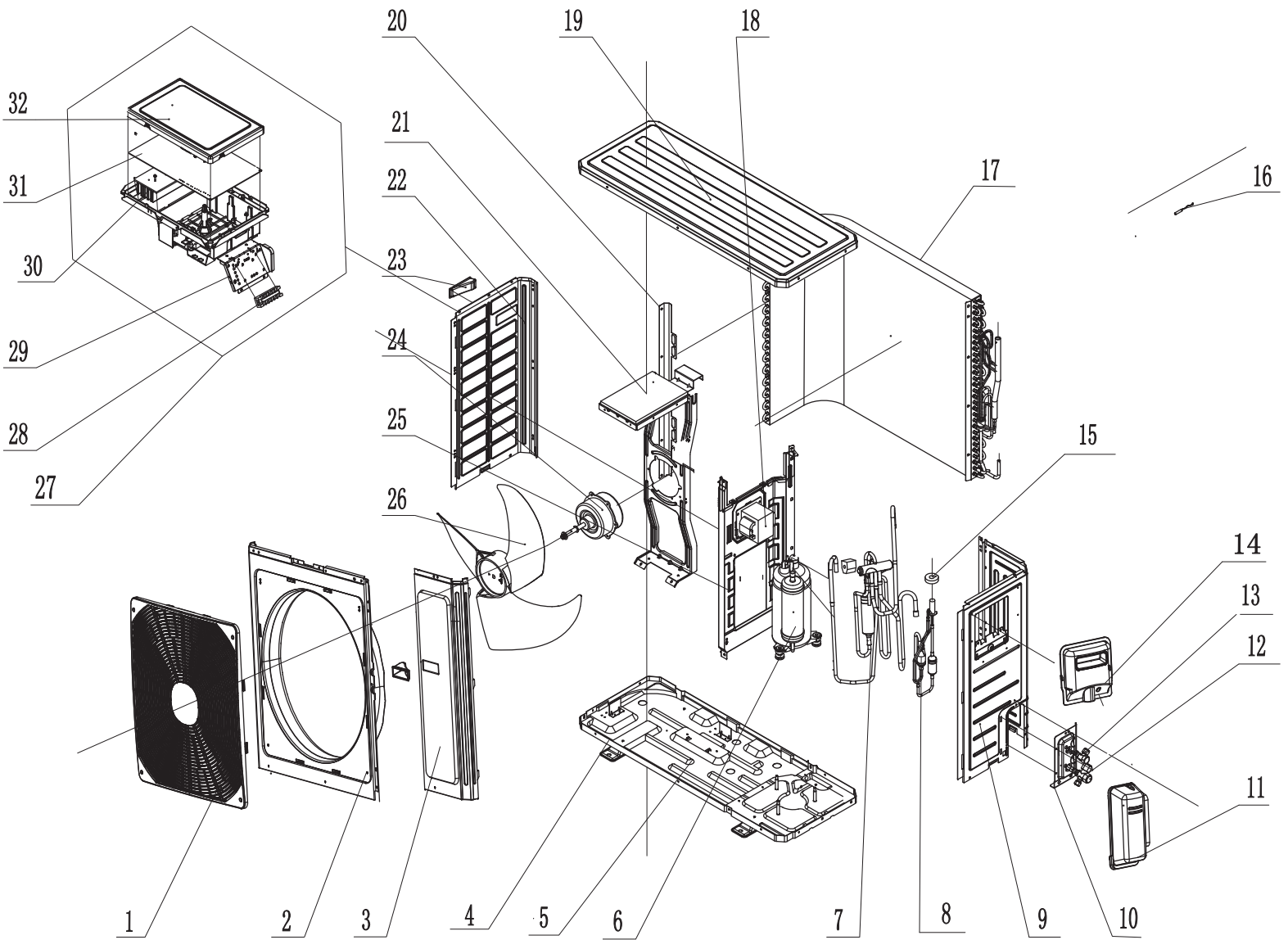
SAP24HP230V1AH

NO.	Part Description	Qty	Part Code
1	Front Panel	1	200003000127T01
2	Filter Sub-Assy	2	11012007
3	Screw Cover	3	2425201906
4	Left Side Plate	1	200085000011
5	Decorative Strip(Left)	1	230001000066D
6	Front Case	1	00000200004002
7	Air Louver	1	10512744
8	Helicoid Tongue sub-assy	1	26112384
9	Left Axile Bush	1	10512037
10	Rear Case assy	1	000001000075
11	Rubber Plug (Water Tray)	1	76712012
12	Ring of Bearing	1	26152025
13	O-Gasket sub-assy of Bearing	1	7651205102
14	Cross Flow Fan	1	10352057
15	Evaporator Support	1	24212178
16	Evaporator Assy	1	011001000095
17	Cold Plasma Generator	0	N/A
18	Wall Mounting Frame	1	012043000007
19	Motor Press Plate	1	26112515
20	Fan Motor	1	15012136
21	Connecting pipe clamp	1	26112514
22	Drainage Hose	1	0523001405
23	Stepping Motor	1	1521240210
24	Crank	1	73012005
25	Guide Louver	1	200004000048
26	Axile Bush	2	10542036
27	Right Side Plate	1	200086000011
28	Decorative Strip(Right)	1	230001000065D
29	Shield Cover of Electric Box Cover 2	1	01202000099
30	Electric Box Cover2	1	2011221001
31	Electric Box	1	2011221102
32	Side plate (electric box)	1	01302002
33	Terminal Board	1	42011233
34	Display Board	1	300001000202

SAP24HP230V1AH (CONT.)

NO.	Part Description	Qty	Part Code
35	Main Board	1	300002000093
36	Shield Cover of Electric Box	1	01592176
37	Electric Box Cover	1	2011220901
38	Jumper	1	4202021929
39	Lower Shield of Electric Box	1	01592139
40	Electric Box Assy	1	100002003959
41	Connecting Cable	0	N/A
42	Connecting Cable	0	N/A
43	Temperature Sensor	1	3900031302
44	Remote Controller	1	305001000082_L75973

SAP24HP230V1AO



SAP24HP230V1AO

NO.	Part Description	qty	Part Code
1	Front Grill	1	01473050
2	Front Panel Assy	1	0153501405
3	Front Side Plate Sub-Assy	1	01303249P
4	Chassis Sub-assy	1	017000000166P
5	Electrical Heater (Chassis)	1	7651000411
6	Compressor and Fittings	1	00105251
7	4-Way Valve Assy	1	030152000081
8	Electronic Expansion Valve assy	1	030174000045
9	Right Side Plate	1	0130504402P
10	Valve Support Sub-Assy	1	0170506101P
11	Valve Cover	1	22245003
12	Cut off Valve	1	0713517901
13	Cut off Valve Sub-Assy	1	07133934
14	Big Handle	1	02115005
15	Magnet Coil	1	4300040045
16	Temperature Sensor	1	3900030901
17	Condenser Assy	1	011002000340
18	Reactor	0	N/A
19	Top Cover Sub-Assy	1	000051000026
20	Condenser Support Plate	1	01175092
21	Motor Support Sub-Assy	1	017012000015
22	Left Side Plate	1	01305043P
23	Left Handle	0	N/A
24	Brushless DC Motor	1	15010400000102
25	Clapboard Sub-Assy	1	017021000067
26	Axial Flow Fan	1	10335013
27	Electric Box Assy	1	100002000598
28	Terminal Board	1	42200006001401
29	Terminal Board Support sub-assy	1	01715016
30	Radiator	1	4901521501
31	Main Board	1	300027000224
32	Electric Box Cover	1	20125002



U.S. CONTACT INFORMATION TRADEWINDS, LLC

E-mail: info@twclimate.com

Contractor Support: 888-850-7928 | Mon-Fri 8 AM - 5 PM EDT

GREECOMFORT.COM